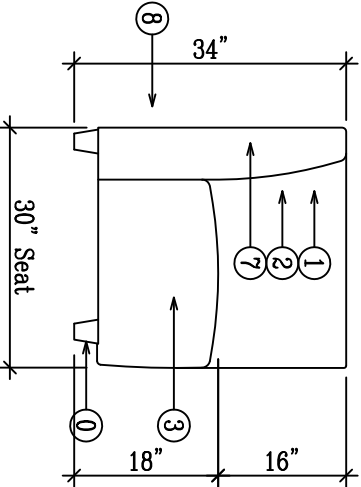
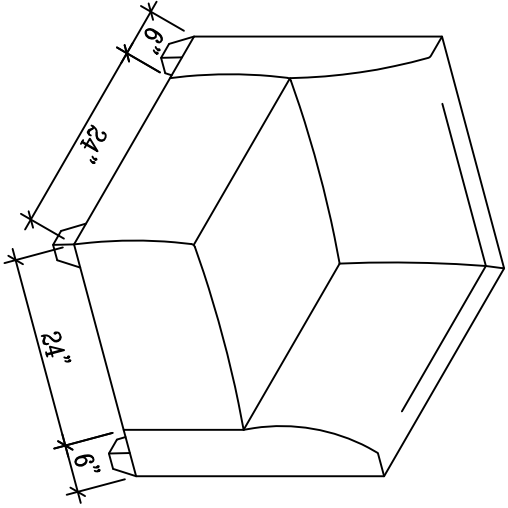


2 Front Elevation

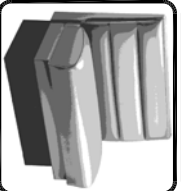


1 End Detail
Quantity =



STYLE:	1200 Series - 34" High
1 INSIDE BACK:	Plain
2 INSIDE BACK:	
3 SEAT:	
4 SKIRT:	N/A
5 CRUMBRAIL:	N/A
6 TOP CAP:	Pull Over Top
7 END CAP:	Wrap Around Ends
8 OSP:	
9 WELT:	N/A
0 BASE:	3" High: Tapered Wood Leg: Stain:

APPROVED BY: _____
 DATE: _____
 PLEASE APPROVE & RETURN TO KC BOOTH.
 PRODUCTION CANNOT BEGIN UNTIL THIS IS COMPLETED.



REVISIONS

DRAWN BY
C. Rugerio

ISSUE DATE

PROJECT NO

SCALE
1/2" = 1'-0"

SHEET

D1 of D1

KC BOOTH LLC
 1760 BURLINGTON
 P.O. BOX 12320
 NKC, MO 64116
 PH: (816) 471-1921
 FX: (816) 471-2461

PROJECT
CLIENT

THIS DRAWING FOR REFERENCE PURPOSES ONLY. COLORS MAY VARY FROM THOSE SHOWN IN DRAWING, REFERENCE ACTUAL SAMPLES FOR VERIFICATION. THIS DRAWING IS SOLE PROPERTY OF KCBOTH AND ALL RIGHTS RESERVED.