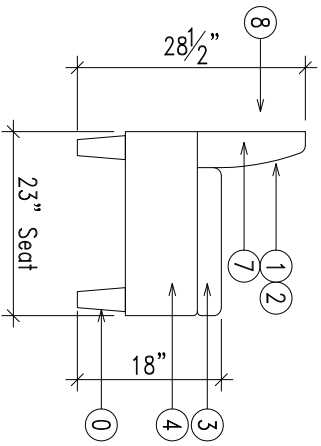


2 Front Elevation



1 End Detail
Quantity =

STYLE:	1900 Series	6 TOP CAP:	Pull Over Top
1 INSIDE BACK:		7 END CAP:	Wrap Around End
2 INSIDE BACK:		8 OSB:	
3 SEAT:		9 WELT:	
4 SKIRT:		0 BASE:	Leg: Red Oak; Stain: KC Booth Standard
5 CRUMBRAIL:	N/A		

APPROVED BY:	_____
DATE:	_____
PLEASE APPROVE & RETURN TO KC BOOTH. PRODUCTION CANNOT BEGIN UNTIL THIS IS COMPLETED.	



PROJECT
CLIENT



1760 BURLINGTON
P.O. BOX 12320
NKC, MO 64116
PH: (816) 471-1921
FX: (816) 471-2461

REVISIONS

DRAWN BY

ISSUE DATE

PROJECT NO

SCALE
1/2" = 1'-0"

SHEET

D1 OF D1

THIS DRAWING FOR REFERENCE PURPOSES ONLY. COLORS MAY VARY FROM THOSE SHOWN IN DRAWING, REFERENCE ACTUAL SAMPLES FOR VERIFICATION. THIS DRAWING IS SOLE PROPERTY OF KCBOTH ALL RIGHTS RESERVED.