

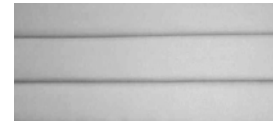
# KC Booth 2000 Series



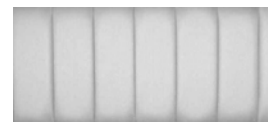
## Available Back Treatments



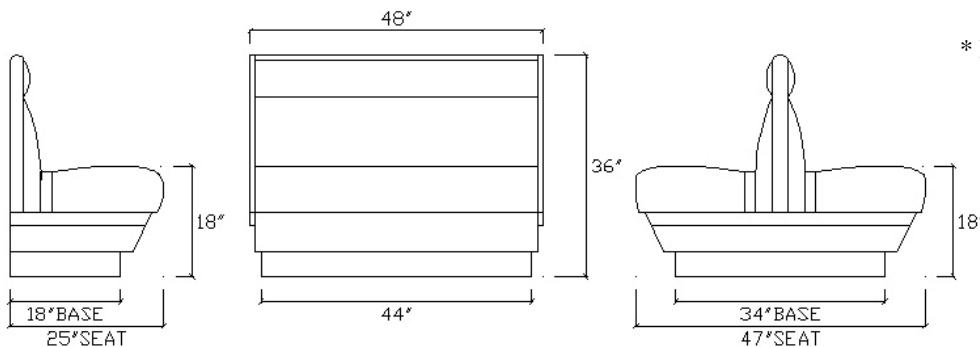
Plain



6" Horizontal Channel



6" Vertical Channel



\* Back pad patterns shown above do not illustrate existing head roll.

Model #	Description	Height	Width	Depth
2001-36X	Single Booth, finished 1 end	36"	47"	25"
2002-36X	Double Booth finish 1 end	36"	47"	47"
2001-36	Single Booth, finished 2 ends	36"	48"	25"
2002-36	Double Booth finish 2 ends	36"	48"	47"
2003H-36	Half Circle (No OSB)	36"	47"x90"x47"	25"
2003T-36	Three Quarter Circle (No OSB)	36"	47"x90"x90"x47"	25"
2005-36	Wall Seating (No OSB)	36"	Specify Length	25"

\*No OSB means 'No Outside Back'-To be specified where required

\*\*\*\*\* SPECIFY BACK TREATMENT REQUIRED, AS SHOWN \*\*\*\*\*

### Features:

- Solid Wood Trim Top, End, & Skirt Caps
- Removable Spring & Foam Seat w/ Stabilizer Bars & Tailored Ends
- All Foam Back & Head Roll
- Laminate or Upholstered Wipe Away Channel
- Heavy Wood Frame, Glued & Reinforced w/ Corner Blocks
- Closed 4" Vinyl Base
- Custom Sizes Available Upon Request
- Three Different Back Treatments Available As Shown Above

