

# KC Booth 3700 Series

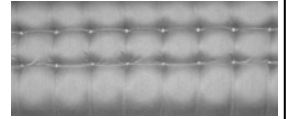


**3700 Series**

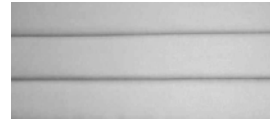
## Available Back Treatments



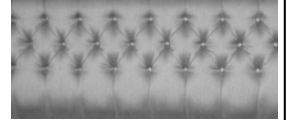
**Plain**



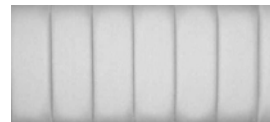
**Square Tuft**



**6" Horizontal Channel**



**Diamond Tuft**

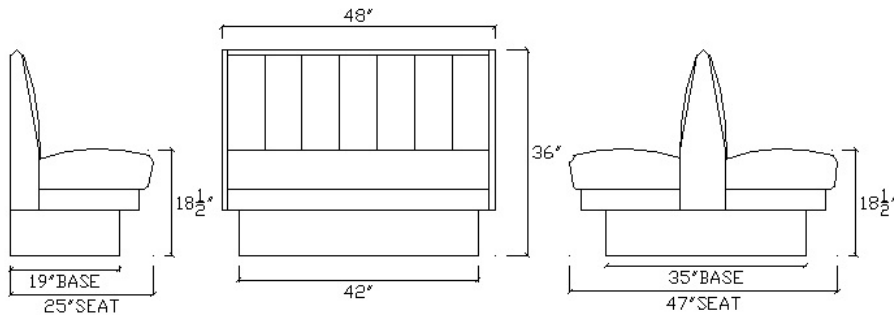


**6" Vertical Channel**



**4" Vertical Channel**

\* Special note: Horizontal Channel are all foam backs.



| Model #  | Description                   | Height | Width           | Depth |
|----------|-------------------------------|--------|-----------------|-------|
| 3701-36X | Single Booth, finished 1 end  | 36"    | 47"             | 25"   |
| 3702-36X | Double Booth finish 1 end     | 36"    | 47"             | 47"   |
| 3701-36  | Single Booth, finished 2 ends | 36"    | 48"             | 25"   |
| 3702-36  | Double Booth finish 2 ends    | 36"    | 48"             | 47"   |
| 3703H-36 | Half Circle (No OSB)          | 36"    | 47"x90"x47"     | 25"   |
| 3703T-36 | Three Quarter Circle (No OSB) | 36"    | 47"x90"x90"x47" | 25"   |
| 3705-36  | Wall Seating (No OSB)         | 36"    | Specify Length  | 25"   |

\*No OSB means 'No Outside Back'-To be specified where required

\*\*\*\*\* SPECIFY BACK TREATMENT REQUIRED, AS SHOWN \*\*\*\*\*

### Features:

- Removable Spring & Foam Seat w/ Stabilizer Bars
- All Foam and Spring Back
- Heavy Wood Frame, Glued & Reinforced w/ Corner Blocks
- Closed 8" Vinyl Base
- Custom Sizes Available Upon Request
- Six Different Back Treatments Available, As Shown

