

# KC Booth 3900 Series

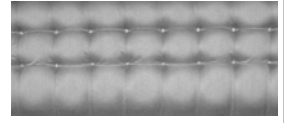


**3900 Series**

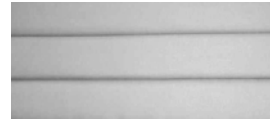
## Available Back Treatments



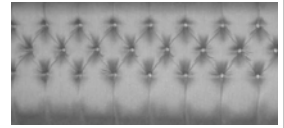
**Plain**



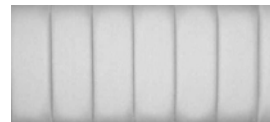
**Square Tuft**



**6" Horizontal Channel**



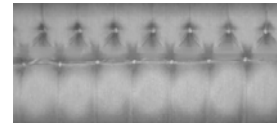
**Diamond Tuft**



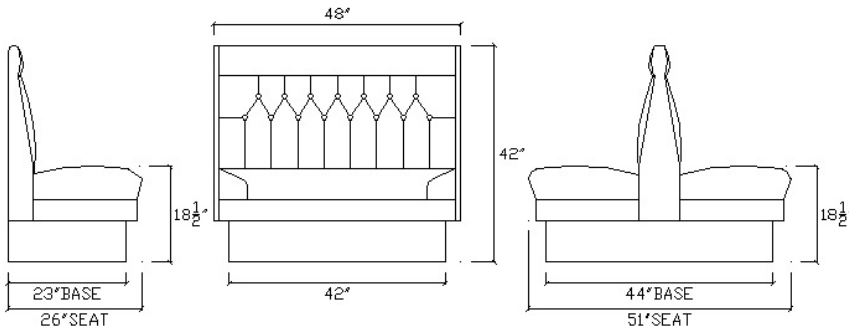
**6" Vertical Channel**



**4" Vertical Channel**



**1/2 Diamond - 1/2 Channel**



- Special note: Horizontal Channel & 1/2 Diamond - 1/2 Channel are all foam backs.
- Back Pad Pattern does not reflect existing Head Roll.

Model #	Description	Height	Width	Depth
3901-42X	Single Booth, finished 1 end	42"	47"	26"
3902-42X	Double Booth finish 1 end	42"	47"	51"
3901-42	Single Booth, finished 2 ends	42"	48"	26"
3902-42	Double Booth finish 2 ends	42"	48"	51"
3903H-42	Half Circle (No OSB)	42"	47"x90"x47"	26"
3903T-42	Three Quarter Circle (No OSB)	42"	47"x90"x90"x47"	26"
3905-42	Wall Seating (No OSB)	42"	Specify Length	26"

\*No OSB means 'No Outside Back'-To be specified where required

\*\*\*\*\* SPECIFY BACK TREATMENT REQUIRED, AS SHOWN \*\*\*\*\*

### Features:

- Removable Spring & Foam waterfall Seat w/ Stabilizer Bars
- Smooth All Foam Head Roll
- Genuine Hand Tuft Spring & Foam Back
- Heavy Wood Frame, Glued & Reinforced w/ Corner Blocks
- Closed 8" Round Corner Vinyl Base
- Custom Sizes Available Upon Request
- Seven Different Back Treatments Available, As Shown

