

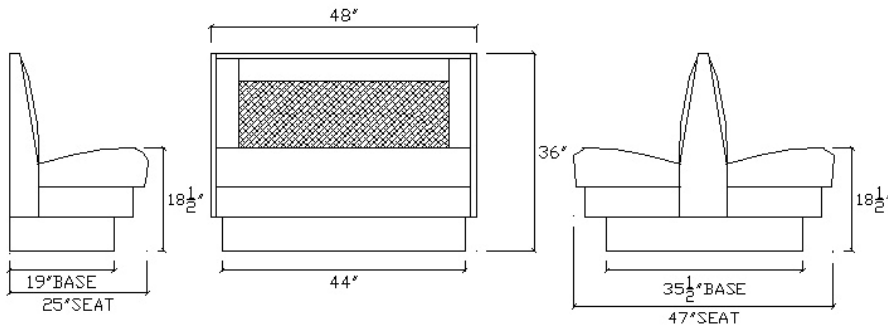
# KC Booth 5100 Series



**5100 Series**

## Available Back Treatments

- Available as pictured only w/ double channel back and head roll.



Model #	Description	Height	Width	Depth
5101-36X	Single Booth, finished 1 end	36"	47"	25"
5102-36X	Double Booth finish 1 end	36"	47"	47"
5101-36	Single Booth, finished 2 ends	36"	48"	25"
5102-36	Double Booth finish 2 ends	36"	48"	47"
5103H-36	Half Circle (No OSB)	36"	47"x90"x47"	25"
5103T-36	Three Quarter Circle (No OSB)	36"	47"x90"x90"x47"	25"
5105-36	Wall Seating (No OSB)	36"	Specify Length	25"

\*No OSB means 'No Outside Back'-To be specified where required

\*\*\*\*\* SPECIFY BACK TREATMENT REQUIRED, AS SHOWN \*\*\*\*\*

### Features:

- Removable Spring & Foam Roll Front Seat w/ Stabilizer Bars
- All Foam Double Channel Back & Head Roll
- Heavy Wood Frame, Glued & Reinforced w/ Corner Blocks
- Closed 6" Vinyl Base
- Crumb Rail, Optional
- Custom Sizes Available Upon Request
- Back Treatment Available, As Shown

