

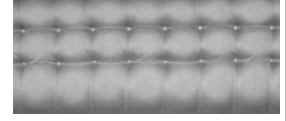
KC Booth 8200 Series



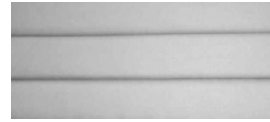
Available Back Treatments



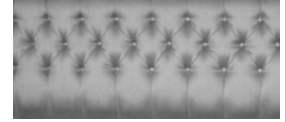
Plain



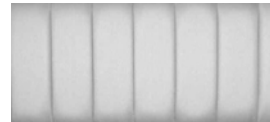
Square Tuft



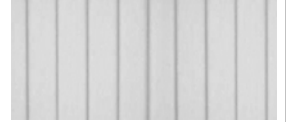
6" Horizontal Channel



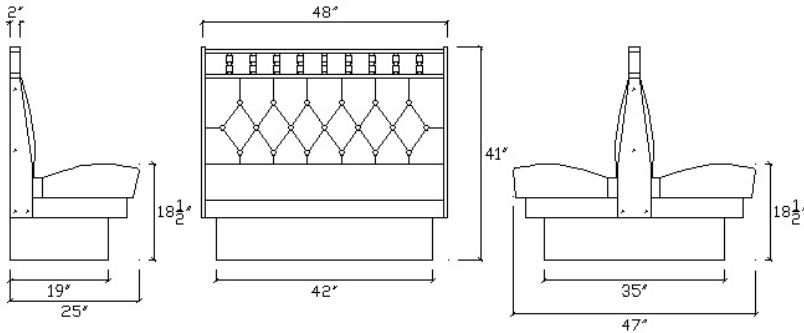
Diamond Tuft



6" Vertical Channel



4" Vertical Channel



Model #	Description	Height	Width	Depth
8201-41X	Single Booth, finished 1 end	41"	47"	25"
8202-41X	Double Booth finish 1 end	41"	47"	47"
8201-41	Single Booth, finished 2 ends	41"	48"	25"
8202-41	Double Booth finish 2 ends	41"	48"	47"
8203H-41	Half Circle (No OSB)	41"	47"x90"x47"	25"
8203T-41	Three Quarter Circle (No OSB)	41"	47"x90"x90"x47"	25"
8205-41	Wall Seating (No OSB)	41"	Specify Length	25"

*No OSB means 'No Outside Back'-To be specified where required

***** SPECIFY BACK TREATMENT REQUIRED, AS SHOWN *****

Features:

- Solid Wood Spindle Frame & End Caps
- Removable Spring & Foam Roll Front Seat w/ Stabilizer Bars & Tailored Ends
- All Foam Filled back
- Laminate or Upholstered Wipe Away Channel
- Heavy Wood Frame, Glued & Reinforced w/ Corner Blocks
- Closed 8" Vinyl Base
- Custom Sizes Available Upon Request
- Six Different Back Treatments Available, As Shown

