

KC Booth 8700 Series

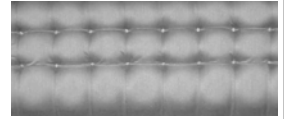


8700 Series

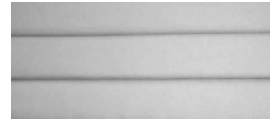
Available Back Treatments



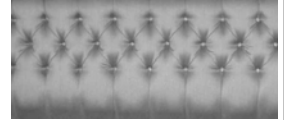
Plain



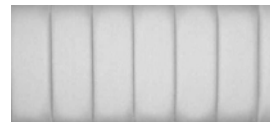
Square Tuft



6" Horizontal Channel



Diamond Tuft

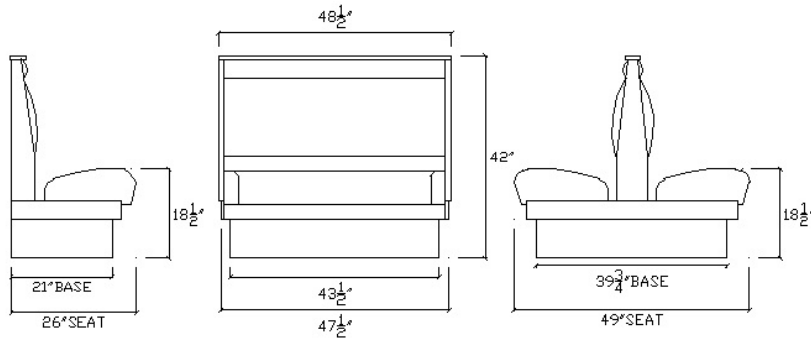


6" Vertical Channel



4" Vertical Channel

- Back pad patterns shown above do not illustrate existing head roll.



Model #	Description	Height	Width	Depth
8701-42X	Single Booth, finished 1 end	42"	48 1/2"	26"
8702-42X	Double Booth finish 1 end	42"	48 1/2"	49"
8701-42	Single Booth, finished 2 ends	42"	49"	26"
8702-42	Double Booth finish 2 ends	42"	49"	49"
8703H-42	Half Circle (No OSB)	42"	48 1/2"x90"x48 1/2"	26"
8703T-42	Three Quarter Circle (No OSB)	42"	48 1/2"x90"x90"x48 1/2"	26"
8705-42	Wall Seating (No OSB)	42"	Specify Length	26"

*No OSB means 'No Outside Back'-To be specified where required

***** SPECIFY BACK TREATMENT REQUIRED, AS SHOWN *****

Features:

- Removable Laminated Trim
- Removable Spring & Foam Waterfall Seat w/ Stabilizer Bars
- Removable Foam Back
- Heavy Wood Frame, Glued & Reinforced w/ Corner Blocks
- Closed 8" Vinyl Base with Radius Corners
- Custom Sizes Available Upon Request
- Six Different Back Treatments Available, As Shown

