

# KC Booth 8800 Series

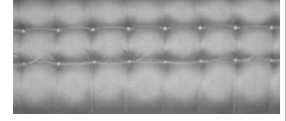


**8800 Series**

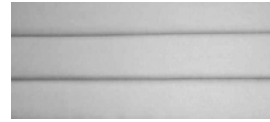
## Available Back Treatments



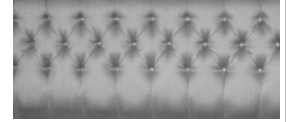
**Plain**



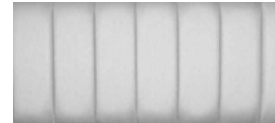
**Square Tuft**



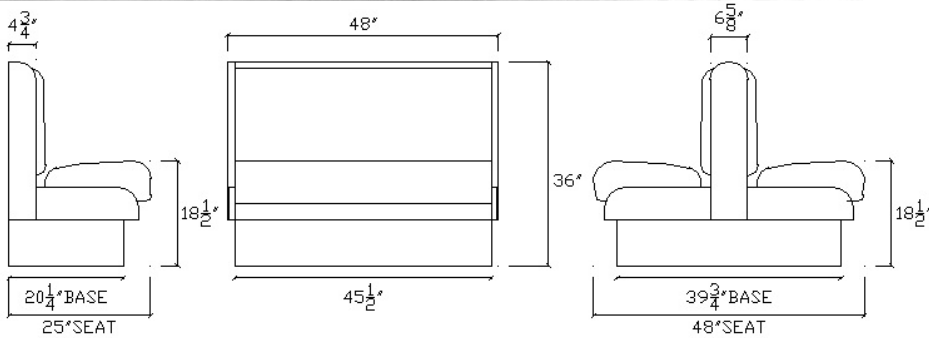
**6" Horizontal Channel**



**Diamond Tuft**



**6" Vertical Channel**



Model #	Description	Height	Width	Depth
8801-36X	Single Booth, finished 1 end	36"	47 1/2"	25"
8802-36X	Double Booth finish 1 end	36"	47 1/2"	48"
8801-36	Single Booth, finished 2 ends	36"	48"	25"
8802-36	Double Booth finish 2 ends	36"	48"	48"
8803H-36	Half Circle (No OSB)	36"	47 1/2"x90"x47 1/2"	25"
8803T-36	Three Quarter Circle (No OSB)	36"	47 1/2"x90"x90"x47 1/2"	25"
8805-36	Wall Seating (No OSB)	36"	Specify Length	25"

\*No OSB means 'No Outside Back'-To be specified where required

\*\*\*\*\* SPECIFY BACK TREATMENT REQUIRED, AS SHOWN \*\*\*\*\*

### Features:

- Removable Laminated Trim to Include Tailored End Stumps
- Removable Spring & Foam Roll Front Seat w/ Stabilizer Bars
- Removable Foam Back
- Heavy Wood Frame, Glued & Reinforced w/ Corner Blocks
- Laminated Crumb Rail
- Closed 8" Vinyl Base
- Custom Sizes Available Upon Request
- Five Different Back Treatments Available, As Shown

