

COMMERCIAL SEATING LAY-OUT

This information and measurements are meant only as a guide to help those planning an installation.

The seating is also available in Custom Lengths, Heights and Shapes, besides those shown in this general layout.

BOOTH OPENINGS: The recommended table sizes are as follows:

- On 5'-6" Booth Centers,** use a 24" Wide Top x Length of Booth.
- On 5'-9" Booth Centers,** use a 27" Wide Top x Length of Booth.
- On 6"-0" Booth Centers,** use a 30" Wide Top x Length of Booth.

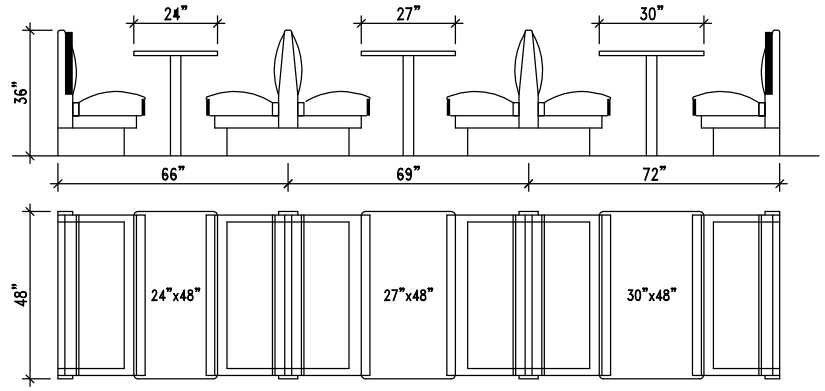
CIRCLE BOOTH TOPS: The Inside Corners of a table top should have a 10" radius.

CANTILEVER PANELS: (Exposed Cantilever Table Arms) The panel should be 1-1/4" thick.

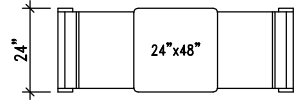
ROOM DIVIDER PANELS: for either Free Standing or Cantilever Bases, can be made in any thickness desired, such as illustrated using the 5-1/2" thick spacer between booths.

CONTOUR SEATING: Can be made in any lengths required. Allow at least 12" to 16" between Table Tops. Example: 54" Contour Seating takes a max. 42" Top, so people can get in between tables.

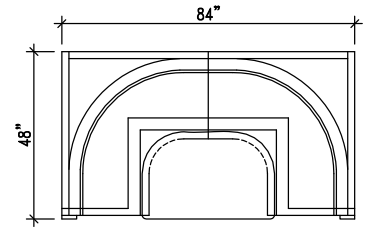
WALL SEATING: Always measure the Wall Line, or the Back Line of the seating when figuring size required.



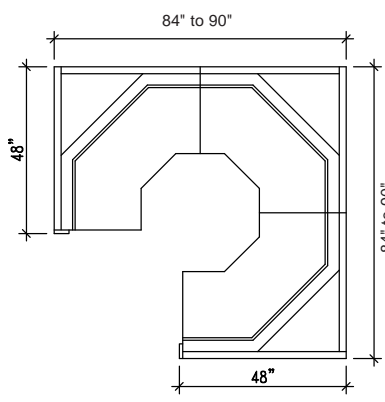
**STANDARD BOOTH OPENINGS
CENTER TO CENTER**



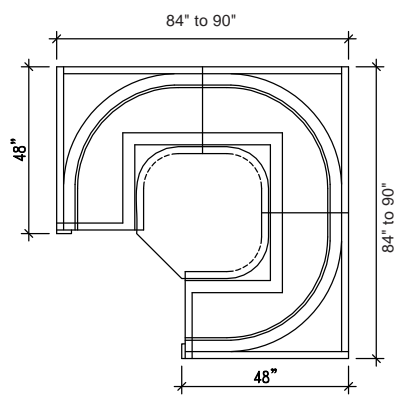
DEUCE BOOTH



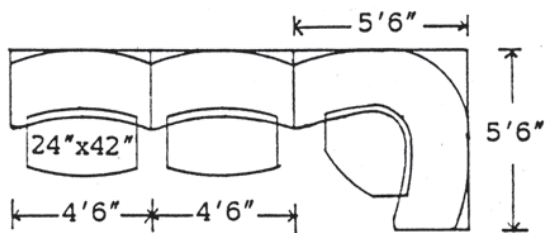
HALF CIRCLE



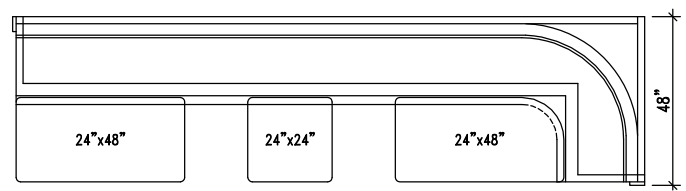
**LAMINATE FRAME
3/4 CIRCLE**



**UPHOLSTERED FRAME
3/4 CIRCLE**



CONTOUR SEATING



WALL SEATING (SETTEE OR BANQUETTE)