

# KC Booth 6700 Series

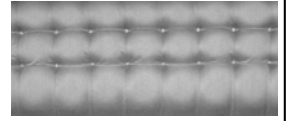


**6700 Series**

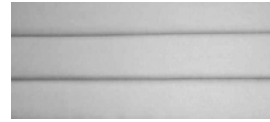
## Available Back Treatments



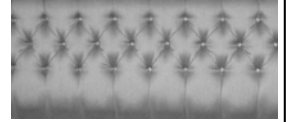
**Plain**



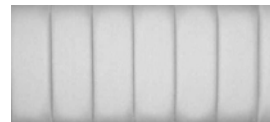
**Square Tuft**



**6" Horizontal Channel**



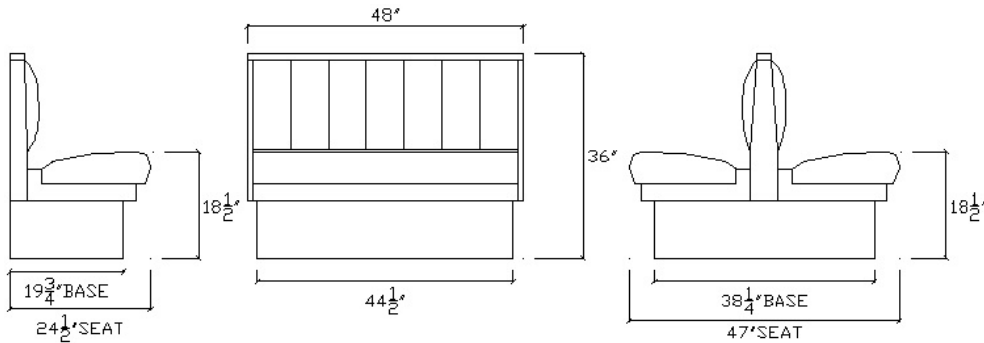
**Diamond Tuft**



**6" Vertical Channel**



**4" Vertical Channel**



Model #	Description	Height	Width	Depth
6701-36X	Single Booth, finished 1 end	36"	48"	24 1/2"
6702-36X	Double Booth finish 1 end	36"	48"	47"
6701-36	Single Booth, finished 2 ends	36"	48"	24 1/2"
6702-36	Double Booth finish 2 ends	36"	48"	47"
6703H-36	Half Circle (No OSB)	36"	48"x90"x48"	24 1/2"
6703T-36	Three Quarter Circle (No OSB)	36"	48"x90"x90"x48"	24 1/2"
6705-36	Wall Seating (No OSB)	36"	Specify Length	24 1/2"

\*No OSB means 'No Outside Back'-To be specified where required

\*\*\*\*\* SPECIFY BACK TREATMENT REQUIRED, AS SHOWN \*\*\*\*\*

### Features:

- Removable Laminate Top Cap & End Caps
- Removable Spring & Foam Roll Front Seat w/ Stabilizer Bars
- Removable Foam Back
- Heavy Wood Frame, Glued & Reinforced w/ Corner Blocks
- Closed 10" Vinyl Base (Std.)
- 1 1/2" Sq. Legs in Chrome or Epoxy, or COM Carpet Base Optional
- Custom Sizes Available Upon Request
- Six Different Back Treatments Available, As Shown

